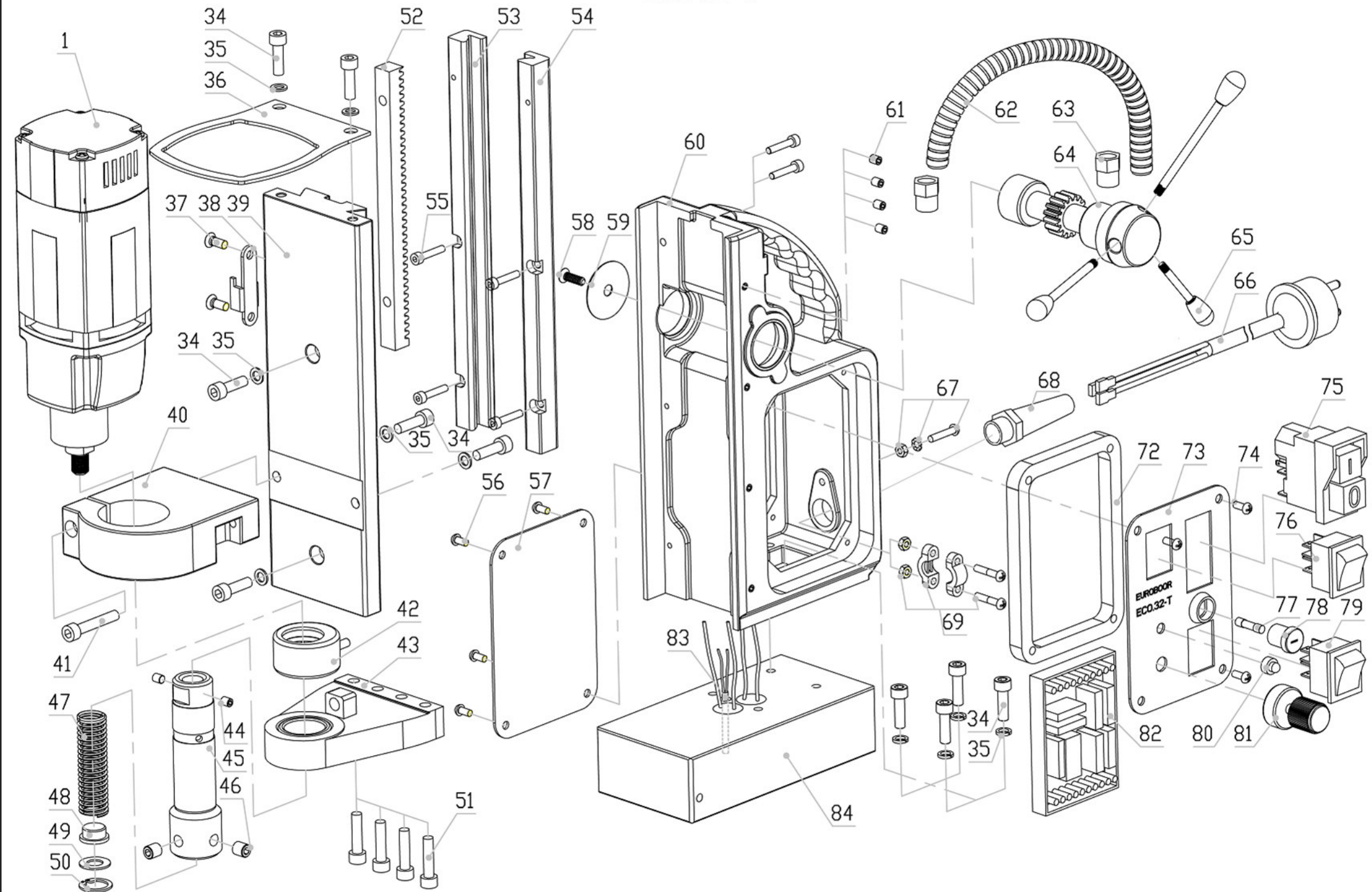


Список запчастей для ЕСО.32-Т

Nr.	Артикул	Описание
1	032Т.0101	Motorunit 220-240v
	032Т.0102	Motorunit 110-120v
2	032.0106	Screw BK4,8x55
3	032.0111	End Cover
4	032.0136	Screw for spring
5	032.0141	Spring
6	032.0142	Screw M4x15
8	032.0146	Carbon Brush Set 220v
	032.0147	Carbon Brush set 110v
11	032.0116	Screw 4,2x13
12	032.0131	Adaptor Ring Cap
13	032.0241	Housing
14	032.0151	Field 220v
	032.0152	Field 110v
15	032.0156	Screw 4x55
16	032.0161	Baffle
17	032.0126	Bearing 608
18	032Т.0146	Armature 220-240v
	032Т.0147	Armature 110-120v
19	032.0166	Circlip 472/28
20	032.0171	Bearing 6001
21	032.0236	Inner Gear Plate
22	032.0176	Circlip 471/10
23	032.0237	Gasket small
24	032.0126	Bearing 608
25	032.0226	First Gear
26	032.0231	Axle 8T
27	032.0186	Spindle Gear
28	032.0191	Adaptor ring
29	032.0196	Bearing 6003
30	032.0211	Casing Pin
31	032.0206	Gear Casing
32	032.0216	Screw BK5x40
33	032.0201	Spindle Drive Shaft
34	020.0156	Screw SSM6x20
35	020.0111	Washer
36	032.0041	Top Fixing Plate 120mm
37	KSP.MS	Screw for Tank Holder
38	KSP.M/2	Tank Holder
39	032.0011	Slide
40	032.0026	Motorholder
41	032.0027	Screw SSM6x35
42	020.0145	Coolant ring
43	020.0142	Steady
44	020.0176	Fixing Screw M6x6
45	032Т.0032	Spindle complete
46	020.0136	Fixing Screw M8x8
47	*	Spring

Nr.	Артикул	Описание
48	*	Button
49	*	Washer
50	*	Circlip
*	020.0121	Springset for Spindle
51	020.0146	Screw SSM6x25
52	032.0016	Rack
53+54	020.0086/X	Rail Set Alu (L+R)
55	020.0086/S	Screw SSM4x20
56	020.0101	Panel Screw
57	PP.RSEU-220	Rear Panel Plate 220v
	PP.RSEU-110	Rear Panel Plate 110v
58	020.0081	End Screw
59	020.0077	End Plate
60	020.0056/X	Frame
61	020.0056/S	Setting Screw M5x6
62	032Т.0046	Motorcable complete
63	020.0041	Coupling Nut PG9
64	020.0061/X	Capstan Hub Assembly
65	020.0116	Arm for capstan
66	020.0036	Main Cable EURO
67	020.0182	Gronding set
68	020.0031	Coupling Nut PG11
69	020.0037	Cable Clamp
72	032Т.0009	Spacer
73	PP.32TEU/4	Front Panel Plate
74	032Т.0003	Panel Screw Long
75	030E.0091/Y	Motorswitch 220-240v
	030E.0092/Y	Motorswitch 110-120v
76	100.0152	L/R Switch
77	020.0017	Fuse F2A
78	020.0016	Fuse Holder
79	020.0011	Magnet Switch
80	020.0206	LED Indicator set
81	032Т.0056	Potentiometer 220K Ohm
82	032Т.0201/2	Control Unit YSW
	032Т.0202/2	Control Unit YSW 110v
83	020.0201	Sensor
84	020.0052	Electromagnet (with sensor)

ECO.32-T



ECO. 32-T

