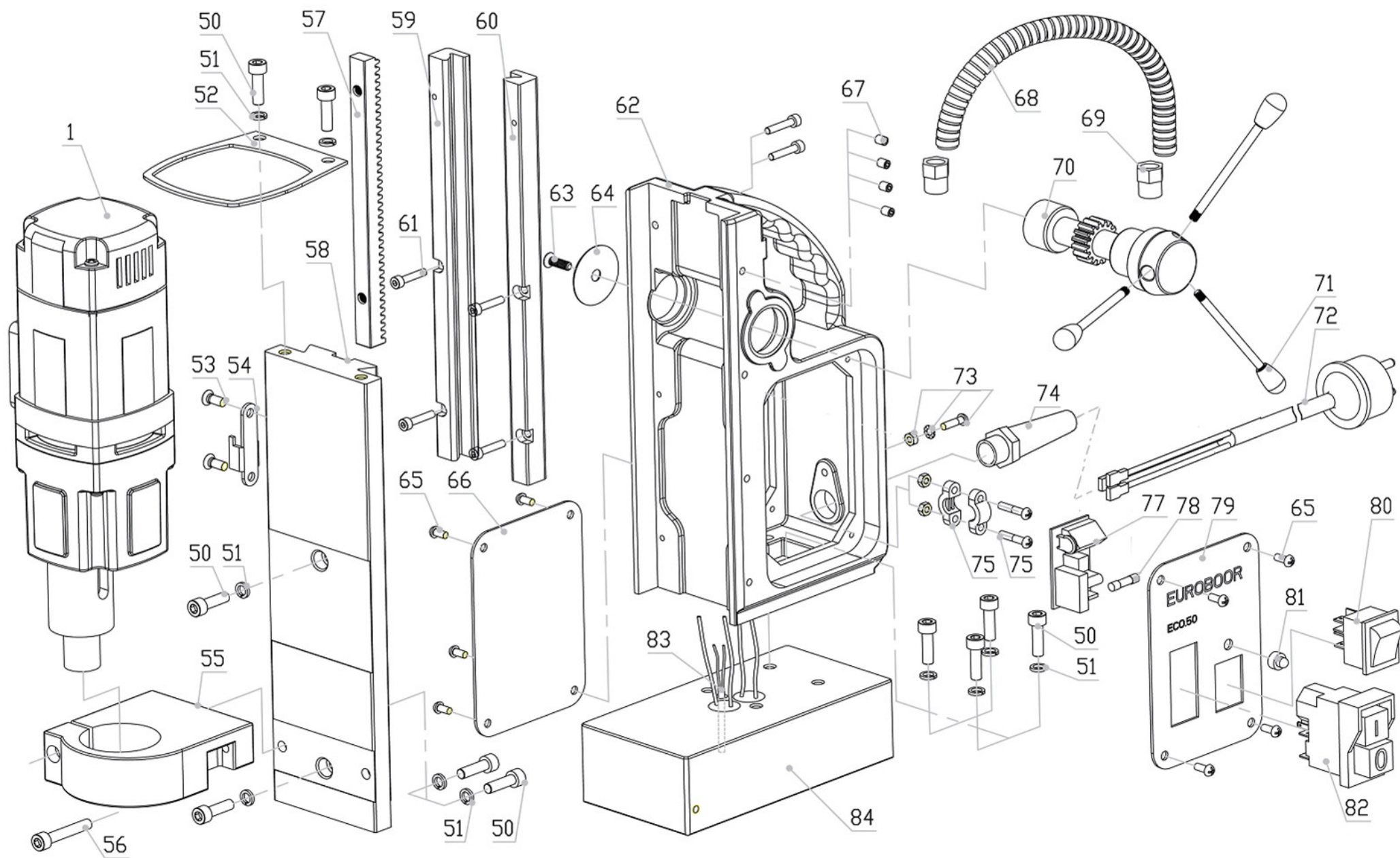


**Список запчастей для ЕСО.50**

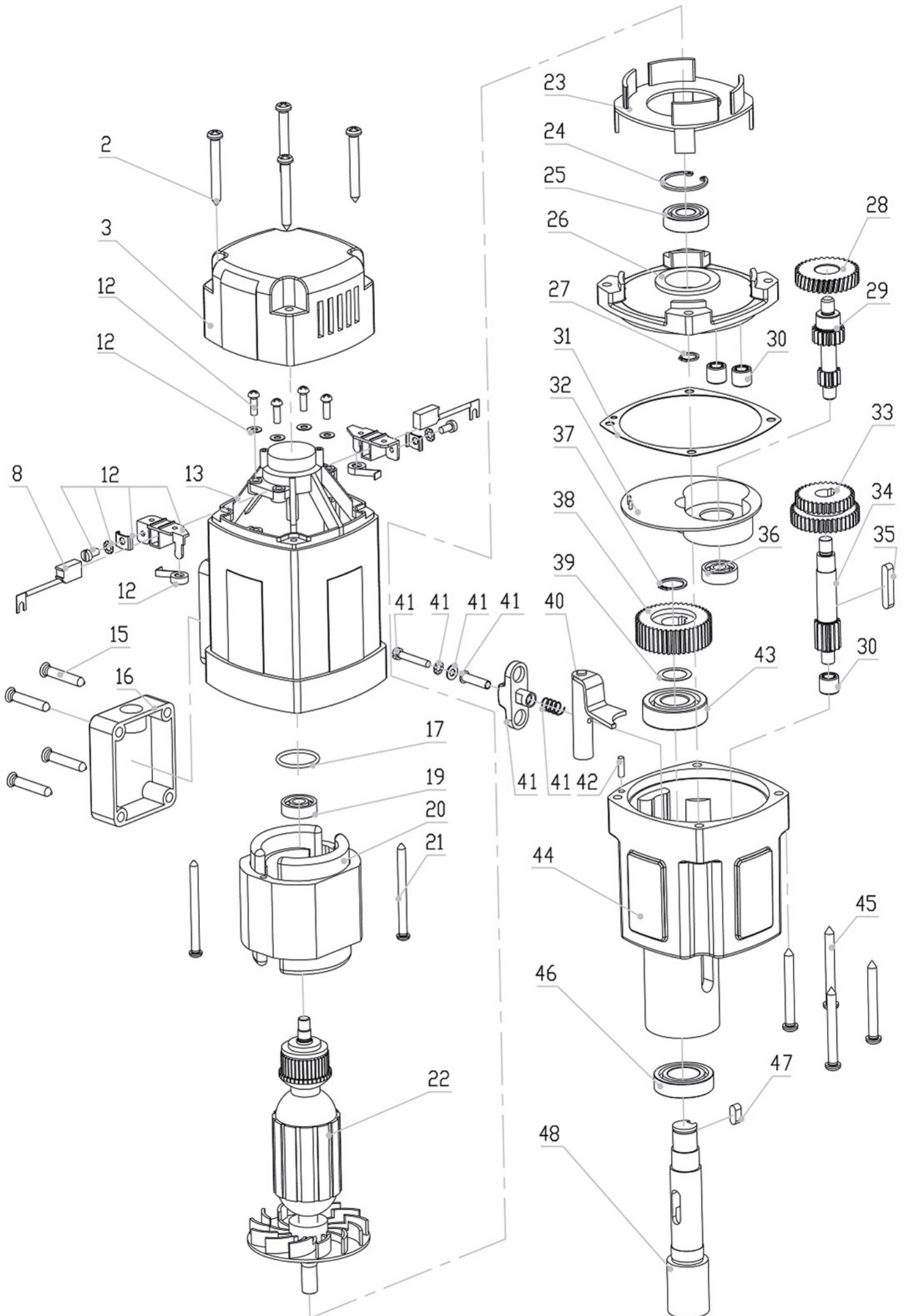
Nr.	Артикул	Описание
1	050.0101	Motorunit 220-240v
2	050.0106	Screw 5x45
3	050.0111	End Cover
8	050.0147	Carbon Brush Set 220v
	050.0148	Carbon Brush Set 110v
12	050.0371	Carbon Brush Holder
13	050.0142	Housing
15	050.0587	Screw
16	050.0586	Cable Housing
17	050.0116	Adaptor Ring
19	032.0126	Bearing 608
20	050.0276	Field 220-240v
	050.0277	Field 110-120v
21	032.0156	Screw
22	050.0181	Armature 220-240v
	050.0182	Armature 110-120v
23	050.0261	Baffle
24	032.0166	Circlip 472/28
25	032.0171	Bearing 6001
26	050.0236	Inner Gear Plate
27	050.0176	Circlip 471/10
28	050.0251	First Gear
29	050.0246	Gear Shaft
30	040.0161	Needle Bearing HK0180
31	050.0207	Gasket middle
32	050.0211	Plate for gear casing
33	050.0171	Gear 34/40Z
34	050.0231	Axle
35	100.4496	Key 5x5x28
36	032.0221	Bearing 608
37	050.0246	Circlip 471/15
38	050.0177	Spindle Gear
39	050.0182	Adaptor Ring
40	050.0291	Clutch Shaft
41	040.0286	Gear Switch
42	032.0211	Casing Pin
43	050.0221	Bearing
44	050.0206	Gear Casing
45	032.0106	Screw
46	050.0466	Bearing
47	050.0431	Key
48	050.0191	Spindle Drive Shaft
50	020.0156	Screw SSM6x20
51	020.0111	Washer
52	040.0041	Top Fixing Plate 110mm
53	KSP.MS	Screw for Tank Holder
54	KSP.M/2	Tank Holder
55	050.0141	Motorholder
56	032.0027	Screw SSM6x35
57	032.0016	Rack
58	050.0011	Slide
59+60	020.0086/X	Rail Set Alu (L+R)
61	020.0086/S	Screw SSM4x20
62	020.0056/X	Frame
63	020.0077	End Plate
64	020.0081	End Screw
65	020.0101	Panel Screw
66	PP.RSEU-220	Rear Panel Plate 220v
	PP.RSEU-110	Rear Panel Plate 110v

Nr.	Артикул	Описание
67	020.0056/S	Setting Screw M5x6
68	020.0046	Motorcable
69	020.0041	Coupling Nut PG9
70	020.0061/X	Capstan Hub Assembly
71	020.0066	Arm for Capstan
72	020.0036	Main Cable Euro
73	020.0182	Gronding Set
74	020.0031	Coupling Nut PG11
75	020.0037	Cable Clamp
77	020.0001/2	Control Unit YSW
	020.0002/2	Control Unit YSW 110v
78	020.0017	Fuse F2A
79	PP.50EU/4	Front Panel Plate
80	020.0011	Magnet Switch
81	020.0206	LED Indicator Set
82	030E.0091/Y	Motorswitch 220v
	030E.0092/Y	Motorswitch 110v
83	020.0201	Sensor
84	050.0611	Electromagnet (with sensor)

# ECO.50



# ECO.50



# ELECTRICAL WIRING DIAGRAM

